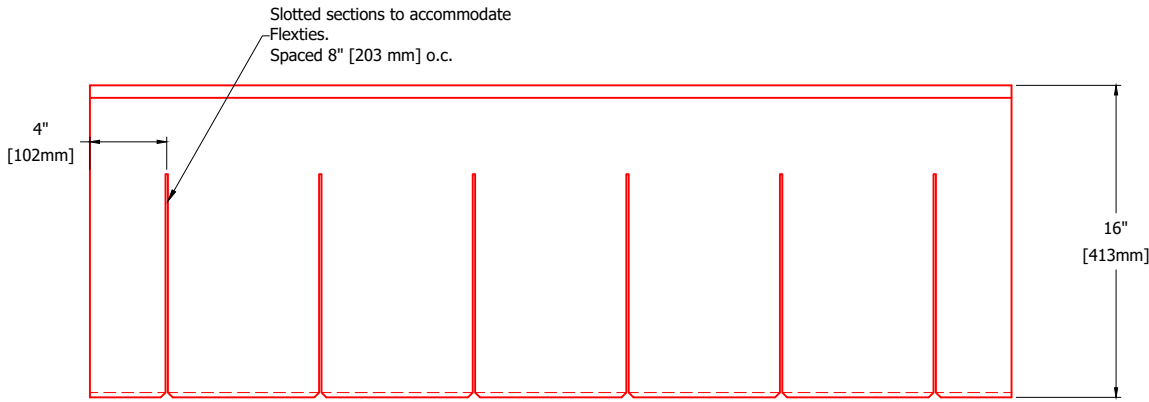


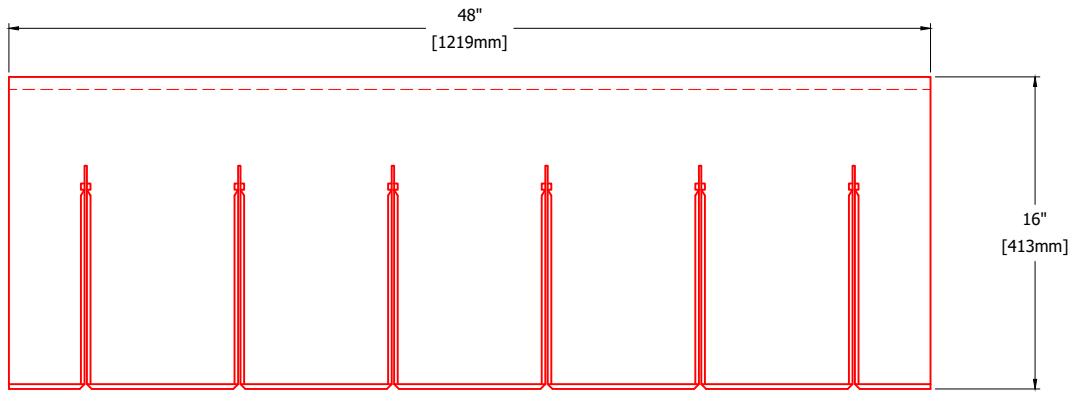
**PLAN VIEW**



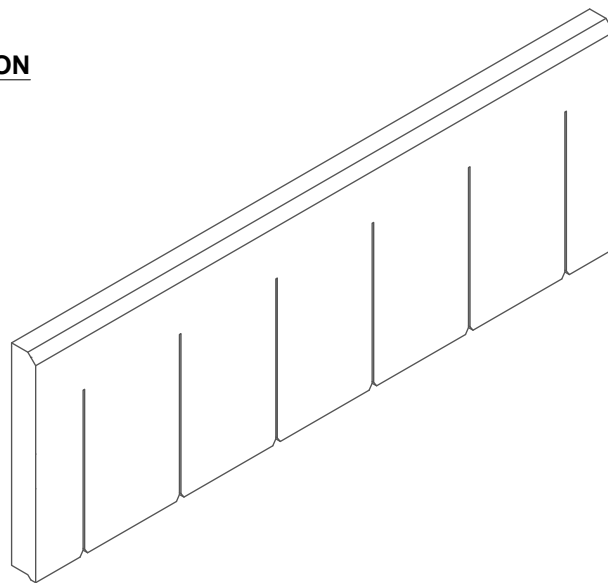
**EXTERIOR FACE ELEVATION**



**END VIEW**



**INTERIOR FACE ELEVATION**



THERMAL INSULATION VALUES - AT 2" [51 mm]	
Element ICF Insert	R8 [RSI 1.4]
Element ICF Chrome Insert	R9.2 [RSI 1.6]